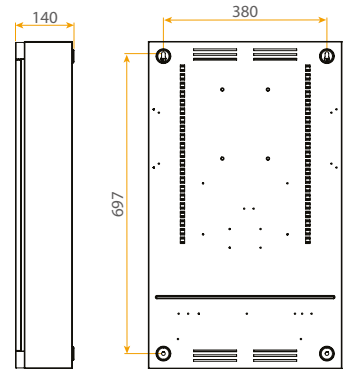
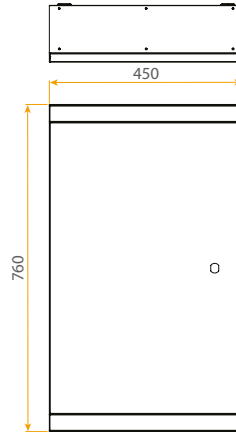


Product Code: TPEB8

Description: 8 Way 125A/250A Three Phase Distribution Board without Incomer



### General Information

Dimensions With Door (mm)	450 (W) x 760 (H) x 140 (D)	
Colour	White	
Materials	Enclosure & Cover: Powder Coated Steel	Pan Assembly / Chassis: Steel
	Plastic Components: ABS & Polycarbonate	
Rated Operational Voltage (AC) (Ue)	230/400	
Frequency (Hz)	50/60	
Busbar Current Rating (A)	250	
Busbar Rating (kA)	25	
Maximum Rated Current (A) (In)	250	
Total Ways	8 (TP), 24 (SP)	
E&N Terminals	Screw	
E&N Bars Capacity (mm <sup>2</sup> )	25	E&N Bars Torque (Nm) 2
Earth Lug Size	M8	Earth Lug Torque (Nm) 4
Input Terminal Capacity - Rigid (mm <sup>2</sup> )	95	
Output Terminal Capacity - Rigid (mm <sup>2</sup> )	25	
Max Cable Tie Width (mm)	8	
Gland PLate	Top & Bottom Removal	
Fire Resistance	650°C / 30s	
Fire Resistance Current Carrying Parts	960°C/30s	
Impact Rating	IK05	
Ingress Protection	IP3X	
Maximum Humidity (%)	95	
Storage Temperature (°C)	-40 to +75	
Operational Temperature (°C)	-5 to +40	
Warranty (Years)	10	Warranty - Devices (Years) 3

**Standards** BS EN 61439-3

**Additional Information** For cleaning / polishing of products, use only a soft, dry, clean cloth.  
 Elucian metal distribution boards allow compliance with BS 7671 Wiring Regulations

**Compatible Accessories** TP2SP: Three Phase to Single Phase converter  
 TP250CAP: 250A busbar caps (10)  
 TPSRBP: Synthetic Bonded Resin Paper with Slot  
 TPPLATE: Gland Plate  
 TPLABELK: Label Pack  
 TPLOCK: Three Phase Isolator Locking Kit  
 TPRCDLINK: Three phase RCD Link Kit

